

For use in human and veterinary medicine

Order No. AP5300

## Portable battery-operated X-ray unit **SIUI SR-8230S**

The SIUI SR-8230S ensures user-friendly handling with its low weight and simple operation via touchscreen. Additionally equipped with an integrated interface for using the X-ray unit with a digital X-ray detector system, this 5 kW generator guarantees a wide range of applications in the practice, clinic and outpatient area.

- Battery operated (no 230 V)
  - 200 shots at full power or standby operation of > 8 hours
  - removable
  - Batteries inside and outside the generator rechargeable
  - external AC/DC power supply
- Touch screen with more than 300 preset parameters for human and veterinary medicine
- rotatable collimator
- compact and splash-proof design
- dimensions: 460 x 245 x 188 mm (net)
- Weight: 13 kg (net)



# Portable battery-operated X-ray unit **SIUI SR-8230S**

## Scope of delivery

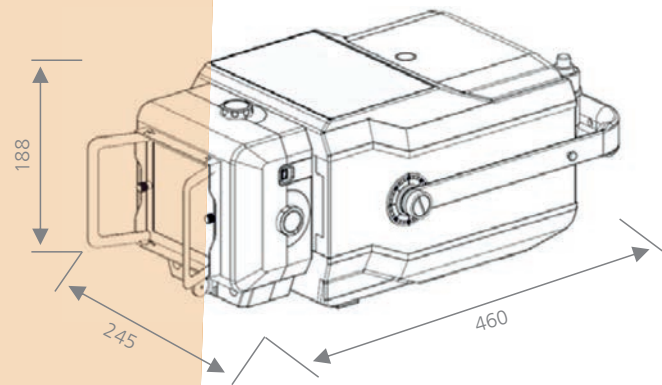
- X-ray unit SIUI SR-8230S
- external power supply unit
- 2-stage hand switch
- Generator tripod - collapsible, light-weight tripod for flexible positioning (optional)

## Short description

- Multi-level splash-proof design ensures high image quality with low power consumption and low radiation intensity
- Touch screen operation with more than 300 preset parameters

## Technical Specifications

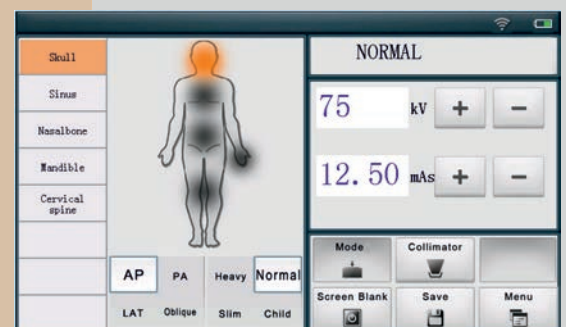
<b>Construction</b>	Monoblock unit with touch screen High-frequency technology
<b>Power Supply</b>	Built-in Battery
<b>Max Power Output (kW)</b>	5 kW
<b>Tube Voltage( kV)</b>	40~125 kV, 1 kV per step
<b>Tube Current (mA)</b>	10~100 mA
<b>Current time product (mAs)</b>	0.2~200 mAs
<b>Working Frequency</b>	≥50kHz
<b>Focus spot (mm)</b>	0.6 mm / 1.8 mm
<b>Total Filtration</b>	3 mm Al collimator included
<b>Collimator</b>	Continuously adjustable with cross indicator to determine the image receiving position (with optional rotation function)
<b>Charging Time</b>	2.5 h
<b>Standby Time</b>	≥8 h
<b>Ingress Protection Rating</b>	IP43
<b>Size (L/W/H)</b>	460 mm x 245 mm x 188 mm (Net) 650 mm x 362 mm x 412 mm (Gross)
<b>Weight (KGS)</b>	About 13 kg (Net) About 20 kg (Gross)



Please visit [www.or-technology.com](http://www.or-technology.com) for more details

### Specifications subject to revision without notice

The editor strives to impart correct and up to date information. The provided specifications are based on current knowledge and are subject to revision without notice. This brochure is subject to correction. The editor assumes no responsibility for the information being up to date, correct and complete. All furnished logos, pictures and graphics are property of the particular company and subject to copyright of the licensor. Use, dissemination, distribution or copying of the pictures, logos or text compiled or processed by the editor is subject to our written consent. All rights reserved.



Screenshot (example human medicine)

**Headquarters:** OR Technology (Oehm und Rehbein GmbH), 18057 Rostock, Germany, Neptunallee 7c  
 Info-Hotline: +49 381 36 600 600, [info@or-technology.com](mailto:info@or-technology.com), [www.or-technology.com](http://www.or-technology.com)  
**OR Technology UK:** Celtic SMR Ltd., Frederick House, Hayston View, Johnston, Haverfordwest, Pembrokeshire SA62 3AQ, United Kingdom, [www.celticsmr.co.uk](http://www.celticsmr.co.uk), [sales@celticsmr.co.uk](mailto:sales@celticsmr.co.uk)