



OR Technology

Cost-effective full
X-ray system for small
animal practices

Amadeo V nano II

- **5,6 kW High-frequency generator** directly integrated in the X-ray table with rotatable light-beam diaphragm
- **0.6 / 1.8 mm tube focus**
- Floating, **completely flat table top** without upstands with generous travel distance
- Connection to **standard socket** (230V~/10A) – no major modification measures necessary
- Large integrated **drawer** for positioning aids etc.



 Amadeo V nano II

Fulfills all your requirements and wishes:

X-ray generator conveniently operable via touch screen



High-frequency generator with vibration-free suspension and with rotatable light sighting diaphragm

Generator control for the entire small animal spectrum



Level 4-way floating table



Clamps for attaching fixing straps



Completely flat table top without upstands



Large drawer with 2 compartments for small parts and positioning aids etc. integrated in the table



Connection to standard socket (230V~/10A)

Special advantages

Excellent: high-quality X-ray detector based on a caesium iodide (CsI) scintillator – top image quality even at low X-ray doses

Optimal: removable grid for perfect image quality (optional)

User friendly: intuitive OR Technology acquisition software *dicomPACS®DX-R* including free special measuring functions und generator control (except AX version)

Efficient: integration into your existing patient management system – patient data at the push of a button (except AX version)

Upgradable: simple upgrade for reporting at additional workstations incl. use of tablet/MAC

Up to date: support of the very latest DICOM standard – connection to all PACS solutions

Cost-effective: simple extension to a hospital PACS solution with integration of all image sources and availability at all workstations

Clean: easy cleaning and disinfection

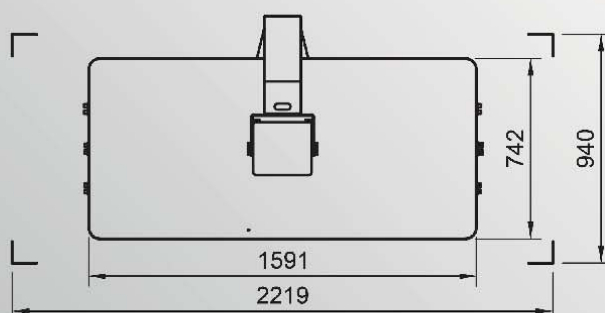
Design: Ambient lighting for a pleasant atmosphere in the examination room



More information about Amadeo V nano II you can be found here: www.or-technology.com

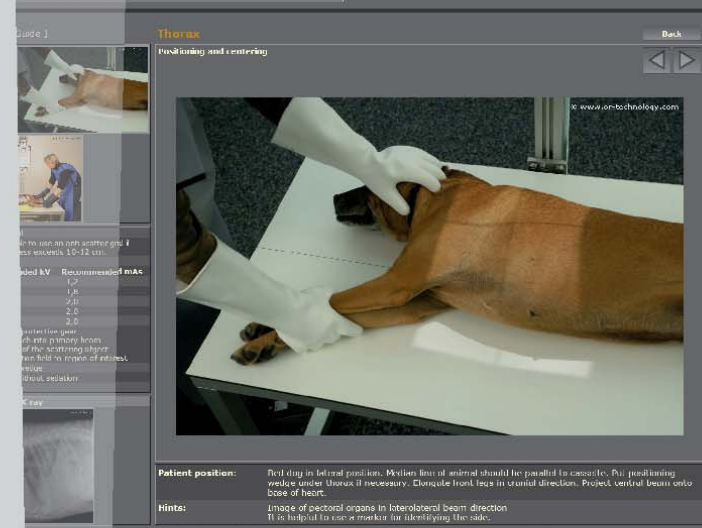


4-way floating table system with generous travel distances and very quiet brakes



Professional acquisition and diagnostic software

- Modern graphical user interface, **touchscreen** operation
- Capture of patient data via **DICOM Worklist**, **BDT/GDT**, **HL7** or other protocols – data may also be captured manually
- Use of **DICOM Procedure Codes** for the transfer of all relevant examination data directly from the connected patient management system (HIS/RIS)
- **Freely configurable** body parts with more than **200 projections** and numerous possible adjustments
- Safe and fast **registration of emergency patients** allowing the user to **switch between examinations** of a patient, for instance to avoid having to re-position the patient frequently
- Allows the user to **subsequently add images** to an examination, even after that examination has already been completed
- Special tools for veterinary medicine, such as an extra dialog box for patient and owner data, **automatic hip dysplasia measuring (AI-based)**, **MMP**, **TTA**, **TPLO** and **vertebral heart score (Buchanan)**, **special image filters** and much more
- Fully **integrated radiographic positioning guide** for each examination incl. comprehensive notes, photos and correct X-ray images
- Suited for use in dental medicine, e.g. with a digital dental sensor or a dental CR system



Standard components of Amadeo V nano II

X-ray system with fixed Csl X-ray detector 14" x 17"

Amadeo V-DR nano II

X-ray system with fixed Csl X-ray detector 17" x 17"

Amadeo V-DR nano II

X-ray system for use with film/CR cassettes or existing DR system without generator control

Amadeo V-AX nano II

HF generator incl. X-ray tube

- Nominal power 5,6 kW
- 40 kV - 125 kV, in 1 kV increments
- Dual focus tube, focal spot 0.6/1.8 mm
- Rotatable collimator
- Power 220-240 V single-phase (standard socket)



X-ray stand and table

- X-ray stand with fixed SID = 105 cm
- Rotatable collimator with LED light
- Table system with four way floating table top and very quiet brakes
- 4-way floating table system with generous travel distances and very quiet brakes
- Large, completely flat, scratch-resistant and dose-optimised table surface without upstands, dimensions: 1591 x 742 mm, table height 839 mm
- At the table end faces 3 pcs. each fixing clamps (cleats/rope ties) for holding ropes
- Integrated drawer for positioning aids etc.
- Indirect lighting through LED strips between the drawers.
- Stable and durable design of all components in modern design
- Foot switch, 2-stage (collimator light on / X-ray shot)
- Weight approx. 180 kg



Csl X-ray detector 35 cm x 43 cm

Excellent image quality even at low radiation dose - Different sizes and resolutions available

[Example]



Csl X-ray detector 43 cm x 43 cm

Excellent image quality even at low radiation dose - Different sizes and resolutions available

[Example]



Operation by dicomPACS®DX-R acquisition station

PC with 24" touch screen monitor (1,920 x 1,080 Pixel) including dicomPACS®DX-R acquisition and diagnostic software with modern graphical user interface including basic software package and integrated X-ray positioning guide provides information on the correct adjustment technique for each examination, including:

- dicomPACS®DX-R Generator Control
- dicomPACS®DX-R DICOM Worklist SCU + dicomPACS® Connect
- dicomPACS®DX-R DICOM Patient CD
- dicomPACS®DX-R Cognition Optimised Processing
- dicomPACS®DX-R DICOM Send SCU inkl. MPPS and Storage Commitment



Fixing clamps

Clamps for holding ties to fix the animal in place so that staff can leave the controlled area during the shot



Optional Components

- hand switch
- Grid for 17" x 17" detectors - 200 LPI

Specifications subject to revision without notice

The editor strives to impart correct and up to date information. The provided specifications are based on current knowledge and are subject to revision without notice. This brochure is subject to correction. The editor assumes no responsibility for the information being up to date, correct and complete.

All furnished logos, pictures and graphics are property of the particular company and subject to copyright of the licensor. Use, dissemination, distribution or copying of the pictures, logos or text compiled or processed by the editor is subject to our written consent. All rights reserved.



OR Technology

www.or-technology.com | X-perts in X-ray



Headquarters:

OR Technology (Oehm und Rehbein GmbH), 18057 Rostock, Germany, Neptunallee 7c
Tel. +49 381 36 600 500, Fax +49 381 36 600 555
www.or-technology.com, info@or-technology.com

OR Technology UK: Celtic SMR Ltd., Frederick House, Hayston View, Johnston
Haverfordwest, Pembrokeshire SA62 3AQ, United Kingdom
www.celticsmr.co.uk, sales@celticsmr.co.uk

Info hotline: +49 381 36 600 600



[Stamp of distribution partner]